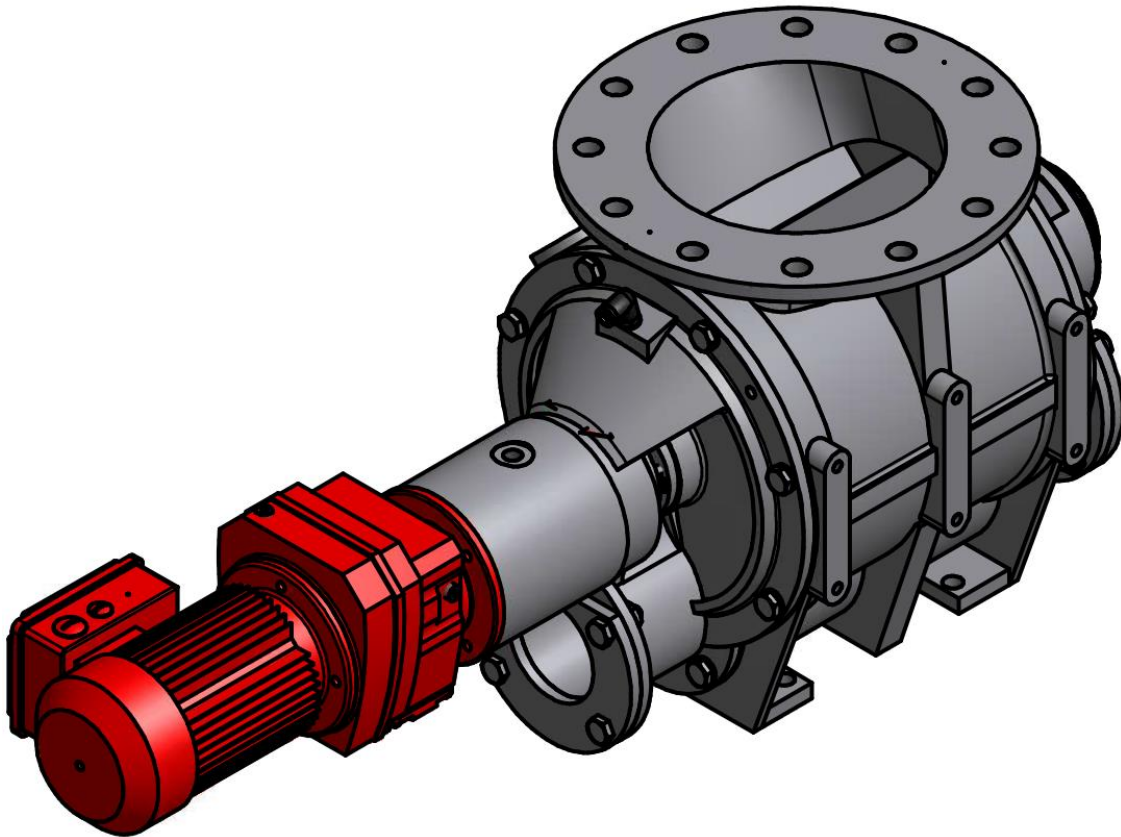


ROTARY VALVE – CONVEY THROUGH TYPE



FEATURES

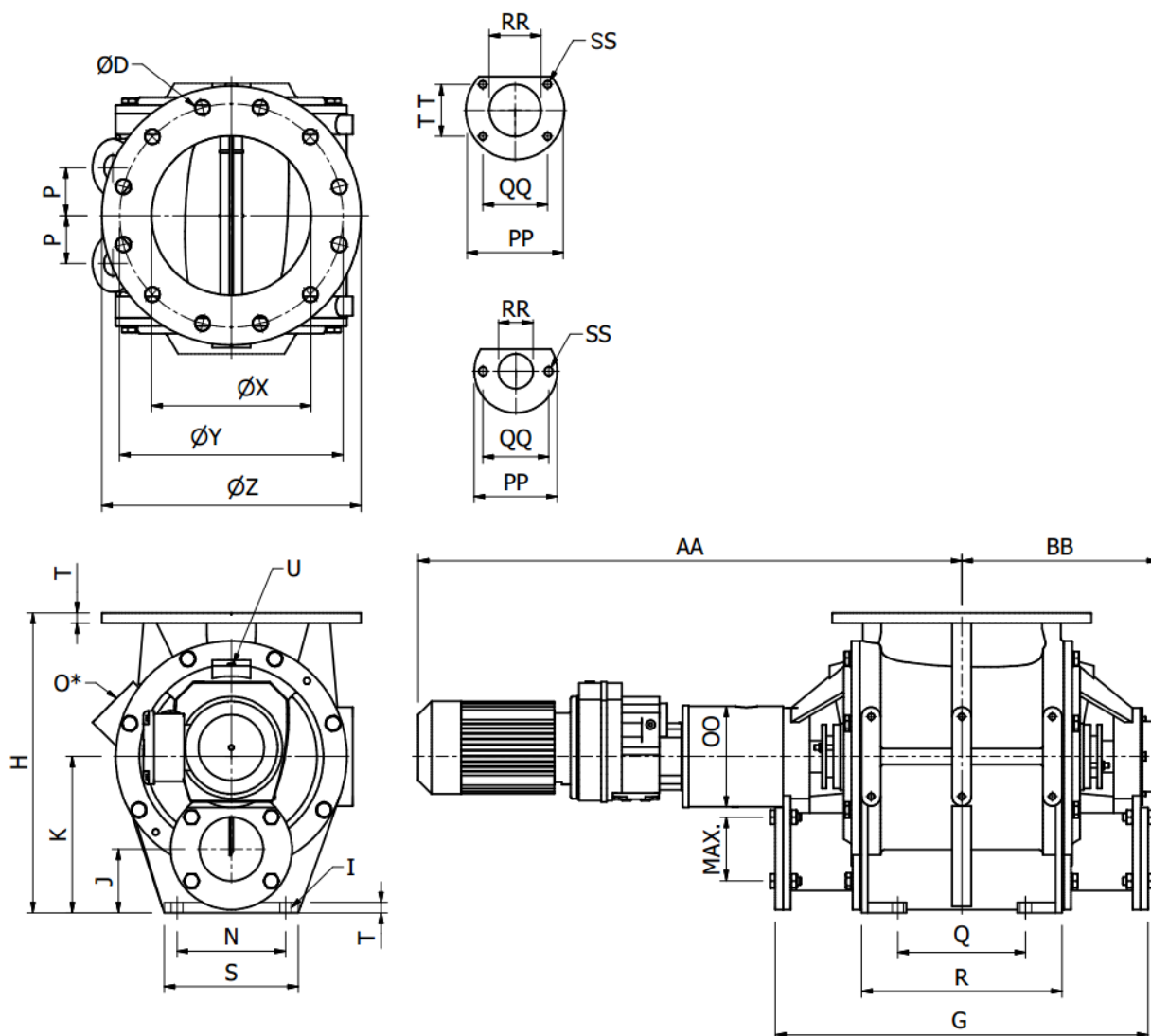
- Smooth product contact surfaces
- Stainless steel or food grade construction materials throughout
- Air-purged shaft seals
- Outboard bearings
- Available with DIN or ANSI inlet flange
- Convey line connections to suit customer requirements.

PRINCIPLE OF OPERATION

The convey through type Rotary Valve is used to provide a metered feed of dry powdered or granular materials directly into a conveying airstream. This type of valve is frequently used for more cohesive or sticky powders that may tend to become wedged in the tapered pockets of a drop through valve by the pressure differential across it. This is most likely to occur with fine materials such as cocoa powder, flour and milk powder. Passing the convey air through the rotor pockets when their wedge shape is inverted provides the sweeping action necessary to ensure that they empty completely.

Convey through Rotary Valves are also useful for installations where height constraints preclude use of a drop through valve and transition.

Convey through Rotary Valves are available in a number of sizes covering a capacity range of approximately 3.0 litres/rev to 58 litres/rev (with rotor filled to 100%).



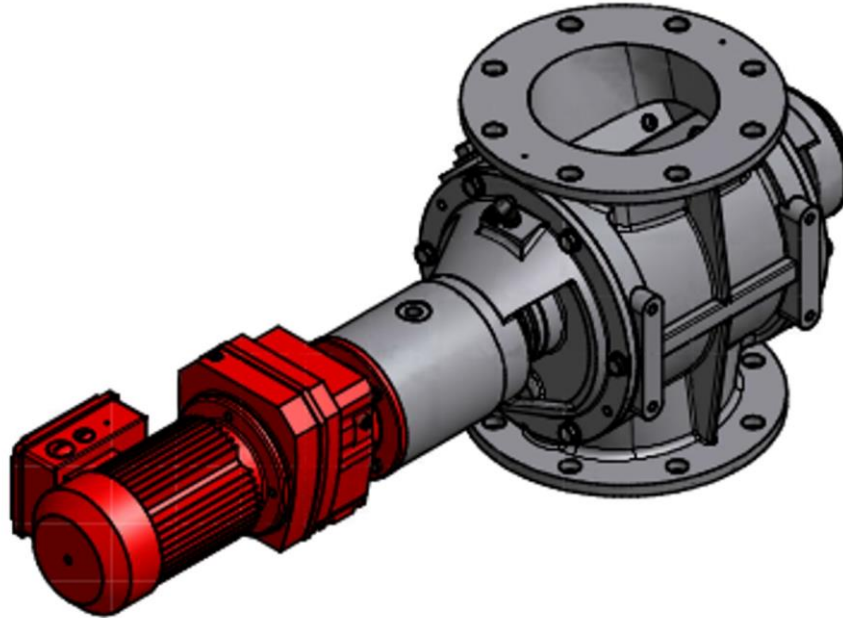
Type BT	Swept Volume in M ³	DIN				ANSI #150				G	H	I	J	K	N	O* (BSP)	P	Q	R	S	T	U (BSP)
		Ø X	Ø Y	Ø D	Ø Z	Ø Y	Ø D															
150	0.003	150	240	8xØ23	285	241.3	8xØ22.2	420	295	4xØ12	65	155	110	¾"	40	100	154	140	12	¼"		
175	0.006	175	270	8xØ23	315	-	-	460	340	4xØ14	75	175	130	1"	53	130	190	160	14	¼"		
200	0.011	200	295	8xØ23	343	298.4	8xØ22.2	535	410	4xØ18	90	215	160	1 ¼"	65	160	230	200	14	¼"		
250	0.019	250	350	12xØ23	406	361.9	12xØ25.4	585	470	4xØ18	100	245	170	1 ¼"	75	200	274	210	16	¼"		
300	0.034	300	400	12xØ23	483	431.8	12xØ25.4	685	565	4xØ23	120	295	190	1 ½"	95	260	350	240	21	⅜"		
350	0.058	350	460	16xØ23	530	476.2	12xØ28.6	755	665	4xØ23	132	335	220	1 ½"	112	310	410	270	26	⅜"		

Type BT	AA	BB	OO	PP	QQ	RR	SS	TT	RR MAX.	Type SEW
150	680	225	120	120	95	50	2xØ12	-	50	RF37
175	700	245	120	140	103.9	65	4xØ12	60.4	70	RF37
200	830	280	160	170	114.7	80	4xØ14	80.3	90	RF47
250	850	310	160	190	125	100	4xØ14	100	120	RF47
300	945	360	200	230	163.8	125	4xØ14	114.7	145	RF57
350	1000	395	200	245	152	150	4xØ14	152	185	RF67

* Standard pre - drilled & plug tapped holes for cast iron execution.

- NOTE: 1) All dimensions are in millimetres
 2) Dimensions and technical details are for reference only and are subject to confirmation
 3) Information on these pages is subject to change without prior notice.

ROTARY VALVE – DROP THROUGH TYPE



FEATURES

- Smooth product contact surfaces
- Stainless steel or food grade construction materials throughout
- Air-purged shaft seals
- Outboard bearings
- Available with DIN or ANSI flanges
- Flameproof and explosion shock resistant versions available

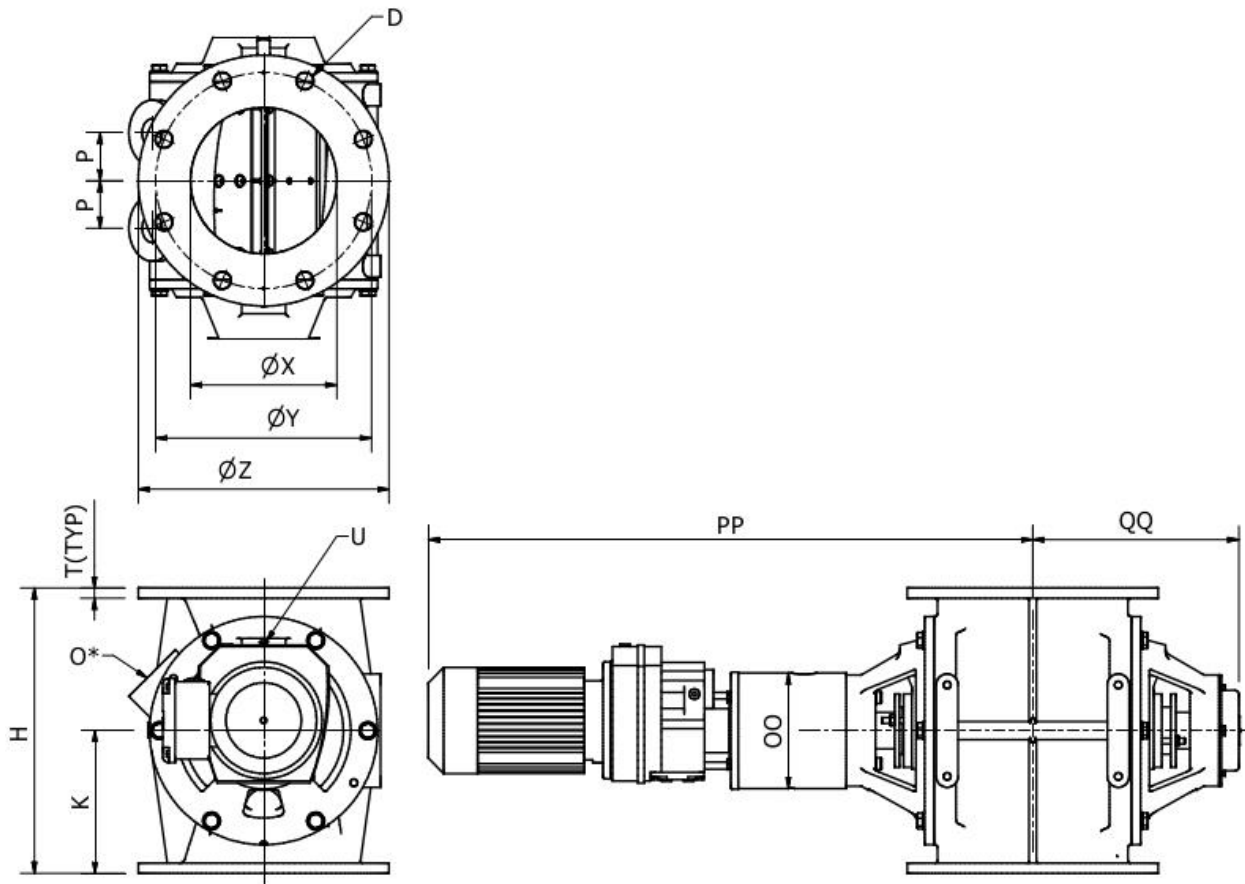
PRINCIPLE OF OPERATION

The drop through type Rotary Valve (also referred to as an airlock) is used to provide a metered feed of dry powdered or granular materials. It is frequently required for this to be carried out between two areas of differing pressure while minimising any loss of that pressure differential.

A Rotary Valve may be installed below a hopper to meter material by gravity into another vessel beneath at a controlled rate in order to prevent large fluctuations in head load on the receiving vessel.

With a suitable transition piece, a drop through Rotary Valve can also be used at the beginning of a pneumatic conveying system, where its job is to feed material into the conveying system while at the same time maintaining a differential pressure between the feed hopper and the convey pipework.

Drop through Rotary Valves are available in a number of sizes covering a capacity range of approximately 3 litres/rev to 58 litres/rev (with rotor filled to 100%).



Type DT	Swept Volume in M ³	DIN				ANSI #150		H	K	Ø* (BSP)	P	T	U (BSP)	PP	QQ
		Ø X	Ø Y	Ø D	Ø Z	Ø Y	Ø D								
150	0.003	150	240	8xØ23	285	241.3	8xØ22.2	280	140	¾"	40	12	¼"	680	225
175	0.006	175	270	8xØ23	315	-	-	330	165	1"	53	14	¼"	700	245
200	0.011	200	295	8xØ23	343	298.4	8xØ22.2	390	195	1 ¼"	65	14	¼"	825	280
250	0.019	250	350	12xØ23	406	361.9	12xØ25.4	450	225	1 ¼"	75	16	¼"	850	305
300	0.034	300	400	12xØ23	483	431.8	12xØ25.4	540	270	1 ½"	95	21	¾"	945	360
350	0.058	350	460	16xØ23	530	476.2	12xØ28.6	660	330	1 ½"	112	26	¾"	1000	395

Type DT	ØOO	Type SEW
150	120	RF37
175	120	RF37
200	160	RF47
250	160	RF47
300	200	RF57
350	200	RF67

* Standard pre - drilled & plug tapped holes for cast iron execution.

- NOTE: 1) All dimensions are in millimetres
 2) Dimensions and technical details are for reference only and are subject to confirmation
 3) Information on these pages is subject to change without prior notice